

40 TON UNIVERSAL TRIPOD JACK 8970

The Model 8970 Tripod Jack is a 40 ton capacity single stage hydraulic jack designed for use in aircraft maintenance. The 8970 also features a mechanical extension with integrated lifting ring allowing for use on aircraft with significantly differing jack point elevations. It consists of a tripod structure with hydraulic cylinder assembly, operator platform, foot-actuated pneumatic pump, load gauge, hand pump, height adjustable swivel casters, height adjustable leveling footpads, and cast steel locknut with handwheel.

- **UNIVERSAL NARROW BODY WING JACK**
- **OEM APPROVED AND RECOMMENDED**
- **AIR OPERATED FOR FASTER LIFTING CAPABILITIES**
- **CORROSION-RESISTANT DESIGN**

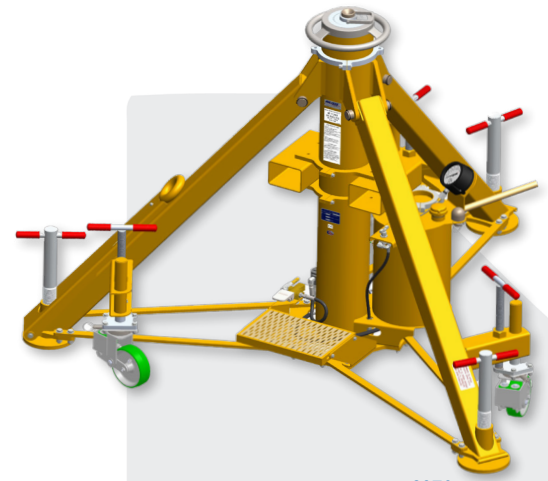
TYPICAL AIRCRAFT APPLICATIONS

Main - Qty 2 Required

A320, B737 100-900, B737 MAX

THE MALABAR ADVANTAGE

Malabar Equipment is built to withstand harsh environmental conditions, rugged use and provide many years of continuous service. Our customers are guaranteed a quality product with each purchase and are assured of our continued product support whenever and wherever the need arises.



8970

STANDARD FEATURES

- Operator platform
- Foot-actuated pneumatic pump
- Manual hand pump
- Adjustable spring loaded swivel casters for smooth jack maneuverability
- Height adjustable leveling foot pads and bubble level
- Extended tripins for use with Malabar test fixture
- Load gauge (reads tons/psig)
- Cast steel locknut with handwheel
- Towbar with 3" lunette eye, can be fitted to any leg
- Secondary cylinder seal for protection against contaminants and to prolong life of primary seal
- Hard chrome plated cylinder bore
- 3 year warranty
- Shipping on domestic skid

OPTIONAL FEATURES

- FT: Forklift Tubes

JACK ACCESSORIES

- 8970PK: Repair Kit

40 TON UNIVERSAL TRIPOD JACK

SPECIFICATIONS	
MODEL	8970
Rated Capacity	40 tons (36.2 m. tons)
Side Load	15% of vertical load
Low Height	71 inches (1,810 mm)
Hydraulic Lift	54 inches (1,370 mm)
Extension Screw	47.5 inches (1,210 mm)
Total Extended Height	125 / 172.5 inches (3.18 / 4,380 mm)
Oil Pressure at Rated Capacity	1,696 psig (120 kg/cm2)
Safety Pop-off Valve set at	44.0 tons (39.9 m. tons)
Proof Load	60.0 tons (54.4 m. tons)
Reservoir Capacity	13.1 Gallons (49.7 liters)
Hydraulic Fluid	MIL-PRF-5606 or equivalent
Approximate Jack Net Weight	2,300 lbs (1,043 kg)

AVAILABLE PART NUMBERS

(Specify with order)

897000-1 NONE
 897000-2 FT

COMPLETE YOUR SET OF NARROW BODY AIRCRAFT JACKS

892300 Nose/Fwd Jack (Qty 1) - 12 Ton Fixed Height Tripod Jack
 897000 Wing/Main Jacks (QTY 2 Required) - 40 Ton Fixed Height Tripod Jack
 892400 Tail/Aft Jack (QTY 1) - 12 Ton Fixed Height Tripod Jack
 50P9AR 50 Ton Axle Jack with Auto Retract Feature

Tronair.com
 sales@tronair.com
 1.800.426.6301
 1 Air Cargo Parkway East
 Swanton, Ohio 43558

SOLD & SERVICED BY:



The Most Trusted Name in GSE

